



## Press release

**Date:** 19/09/2022

**One become four:**

### **One bit with 4 profiles? Is that really possible?**

**Wuppertal.** Wera has developed two extremely compact 4-in-1 bits, each of which can be used to drive four screw sizes: Four sizes of hexagonal socket screws (3.0; 4.0; 5.0; 6.0) with the 4-in-1 bit 9506, three sizes of hexagonal socket screws (2.5; 5; 6.0) and one size of TORX® screws (TX 25) with the 4-in-1 bit 9507.

In order to use the larger profile, continuously press against the spring tension while screwdriving so that the smaller profile is countersunk and the larger profile can be used.

These bits save space and are therefore particularly suitable for mobile use. With their 1/4" hexagon drive (Wera connection series 1) they can also be used with bit ratchets or Rapidaptor bit holder.

Wera is launching the new 4-in-1 bits in the Bicycle Set 15, which makes it an ultra-compact and lightweight bicycle tool. In addition to the bits, the set also contains three tyre levers.

The two 9504 tyre levers also have a 1/4" bit socket, which allows them to operate light screw connections.

The 9505 tyre lever can also be used as a valve ejector for French valves (Sclaverand) and as a bleeder for car valves.

Contact for press:

Wera Werkzeuge GmbH  
Detlef Seyfarth  
Korzter Straße 21-25  
42349 Wuppertal/Germany  
Phone: +49 202 40450  
Fax: +49 202 403634

Reproduction allowed, confirmation requested

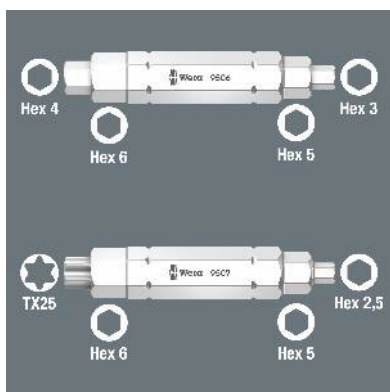
Captions:

*Das Wera Bicycle Set 15.jpg*



With the new 4-in-1 bits, the Bicycle Set 15 becomes an ultra-compact and lightweight bicycle tool.

*Kompakte 4-fach Bits – nur ein Bit für vier Schrauben.jpg*



The extremely compact 4-in-1 bits can be used to drive four screw sizes.

*Praktische Reifenheber.jpg*



With the glass fibre reinforced plastic tyre levers, the tyres can be safely levered off the rim without damaging the rim.

*Ideal für Reparaturen on tour.jpg*



With its compact shape, the Bicycle Set 15 is perfect for mobile use.